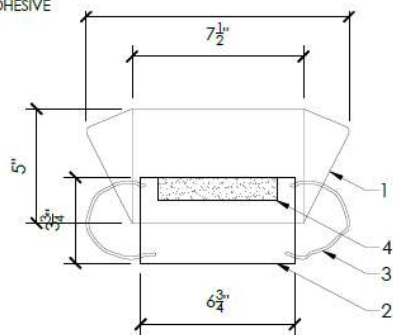


ES Disposable 3-Ply Mask w/ Clear Vinyl Shield

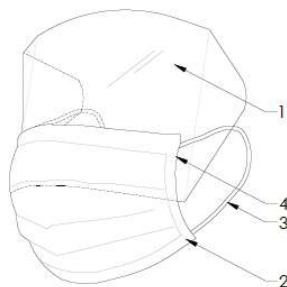


MATERIAL LEGEND:

- 1. 30 GAUGE CLEAR
- 2. 3PLY MEDICAL MOUTH MASP
- 3. EARLOOP
- 4. ADHESIVE



LAY-FLAT VIEW OF MASK



PERSPECTIVE VIEW OF MASK



QTY Range	Price Each
1,500 – 9,999	\$5.50
10,000 – 29,999	\$5.00
30,000 – 74,999	\$4.65
75,000+	\$4.30

3 Ply Surgical Mask Spec

Specification	
Size	6.75"x3.75"
Material	Non-Woven Fabric + Meltblown Fabric
Function	Anti-Dust/PM2.5/Anti-Saliva
Standard	ASTM Level 1 and Level 2 available
Certification	CE/FDA/Class II Medical Device

Shield Spec

Specification	
Size	11.5"x5"
Material	7 mil PET Film or Clear PVC
Adhesive	Acrylic
Properties	Treated w/ Anti-Fog and Anti-Static Solution

Company Information:

Name: Eventstar Structures, Corp.

Phone: 305-969-0191

DUNS: 805603011

Cage: 5BXEO

Primary Contact: [Kristian Lightbourne](mailto:Kristian@eventstar.com)

PH: (305)909-3077 | email: Kristian@eventstar.com

